
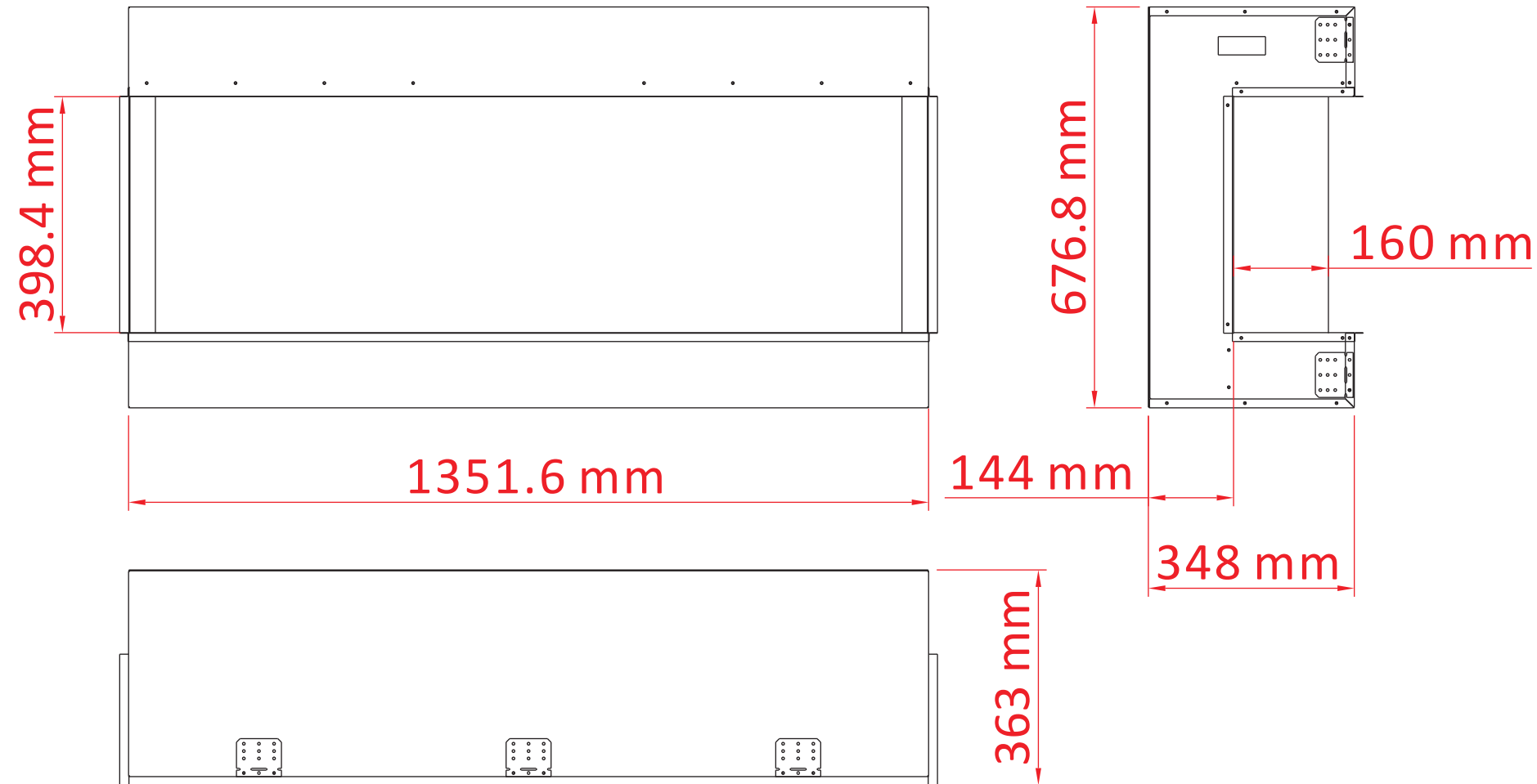


TECHNICAL SPECIFICATIONS

VOLTS	120	
AMPS	12.5	
WATTS	1465	
HEATER	HIGH	1465 watts
	LOW	750 watts
NO HEATER	19 watts	
LAMPS	QUANTITY	LED
	WATTS	
	TOTAL WATTS	33 watts
ROTOR MOTOR	2 at 5 watts	
HEIGHT,WIDTH,DEPTH	26 5/8" x 53 1/4" x 14 1/4"	
GLASS VIEWING OPENING	15 5/8" X 49 5/8"	
GLASS SIZE	15 5/8" X 49 5/8"	
SHIPPING SIZE	31 7/8" x 60 3/8" x 16 1/8"	
SHIPPING WEIGHT	141.5 lbs	
	UNIT	110 lbs
GLASS FRONT	Included	
PLUG LOCATION	Left Side	
CORD LENGTH	70 7/8"	
APPROX. HEATING AREA	400 sq ft	


SERIES	MODEL		REV
TRU VIEW	50-TRU-VIEW-XL		1
SCALE 1"=1'-0"	DATE: 9/1/2016	SHEET 1 OF 1	



TECHNICAL SPECIFICATIONS

VOLTS	120	
AMPS	12.5	
WATTS	1465	
HEATER	HIGH	1465 watts
	LOW	750 watts
NO HEATER	19 watts	
LAMPS	QUANTITY	LED
	WATTS	
	TOTAL WATTS	33 watts
ROTOR MOTOR	2 at 5 watts	
HEIGHT,WIDTH,DEPTH	67.7 x 1351.6 x 34.8 cm	
GLASS VIEWING OPENING	39.8 X 126.1 cm	
GLASS SIZE	39.8 X 126.1 cm	
SHIPPING SIZE	81 x 153.5 x 41 cm	
SHIPPING WEIGHT	65 Kgs	
	UNIT	50 Kgs
GLASS FRONT	Included	
PLUG LOCATION	Left Side	
CORD LENGTH	193 cm	
APPROX. HEATING AREA	37 sqm	

Amantii

SERIES	MODEL		REV
TRU VIEW	50-TRU-VIEW-XL		1
SCALE 1:12	DATE: 9/1/2016	SHEET 1 OF 1	