

TRD SERIES CATALOG

ELECTRIC FIREPLACES

Amantii

The TRD SERIES electric fireplace combines elegance and functionality, offering a versatile heating solution with a timeless design to enhance any living space.



TRADITIONAL BESPOKE


33" • 38" • 44" • 48"

Using the latest technology, Traditional Bespoke Smart presents a new interpretation of the classic fireplace with quality and style. Select flame colors, sound, heat and so much more by pairing your phone with the fireplace and press play on your smartphone. Heater vents are concealed in the upper top of the unit, enabling a truly clean face appearance.

Enjoy the brilliant flames of this fireplace even while the heat is off for ambiance during every season.

With this timeless fireplace, you will be able to breathe new life into any room while adding warmth and ambiance,

KEY FEATURES

- 5 Year Warranty
- Fire & Sound – Two (2) quality audio speakers deliver a fire crackling sound. The audio is an ON/OFF feature that can be controlled through the WiFi app.
- WiFi compatible to connect and control the fireplace from your smartphone with the use of our app. Available on the Google play store and the Apple App Store.
- Bluetooth Connectivity – Featuring a fireplace with high quality audio from Bluetooth speakers. Simply pair your phone with the fireplace and press play on your smartphone. 
- Programmable timer & thermostat allows you to decide the temperature of the room. Set the fireplace to turn on before you arrive home or have it automatically turn on when the weather is cold.
- Smart Room Temperature Control - 59°F - 82°F or 15°C - 28°C
- 1465W 5000 BTU, heats up to 500 Sq. Ft.
- 50000 hours lifetime LED light source
- Approved for Outdoor Installations*
- Designed with front flow heating and hidden venting so that the unit can be recessed or semi flush mounted
- A clean reduced trim kit allows for a large viewing area with true lifelike flames that can not be rivaled.
- Adjustable flame brightness and speed that can be controlled independently.
- Adjustable ember bed colors that allow for the possibility of auto mixing thousands of colors.
- Most quiet and reliable components in the industry
- Patented thermostatic remote comes included
- Masonary finish to trim option

TECHNICAL SPECIFICATIONS

Volts	120V
Amps	12.5 A
Watts	1465 Watts
Heater On	1465 Watts high, 732 Watts low
Heater Off	27 Watts – TRD 33 Bespoke 32.6 Watts – TRD 38 Bespoke 37.8 Watts – TRD 44 Bespoke
Rotor Motor	1 at 2.9 Watts
BTU	5000

SERIES MODELS:

- TRD-33 BESPOKE
- TRD-38 BESPOKE
- TRD-44 BESPOKE
- TRD-48 BESPOKE



**5 YEAR WARRANTY
OUTDOOR APPROVED**

INCLUDED ACCESSORIES

Models come with a choice of a Design Media kit - Driftwood, Birch or Rustic, Oak 18PCE, Split, 12PCE Oak, or ICE media



YOUR CHOICE:



DESIGN-MEDIA-BIRCH-15PCE



DESIGN-MEDIA-DRIFT-15PCE



DESIGN-MEDIA-RUSTIC-14PCE



ICE-MEDIA-FI-109-DIAMOND



DESIGN-MEDIA-SPLIT-LOG-16PCE



DESIGN-MEDIA-OAK-18PCE



DESIGN-MEDIA-OAK-12PCE-LG

**Manufacturer guidelines regarding outdoor installation must be followed. Please refer to the owner's manual for additional information*

Manufacturer guidelines regarding outdoor installation must be followed. Please refer to the owner's manual for additional information

TRD 48" BESPOKE with Birch Design Media Electric Fireplace

2

3

TRADITIONAL LUMINA

26" • 30" • 33" • 38" • 44" • 48"

The TRADITIONAL LUMINA Electric Fireplace is the perfect fusion of classic charm meets contemporary technology. This new product series brings the timeless appeal of a traditional fireplace and infuses it with the innovation and convenience of electric heating. With its elegant design, realistic flame effects, and customizable features, the TRADITIONAL LUMINA series evokes a sense of nostalgia while providing modern comfort.

Crafted to seamlessly blend with various interior styles, these electric fireplaces offer the warmth and ambiance of a real fire without the hassles of maintenance or venting.

KEY FEATURES

- 2 Year Warranty
- WiFi compatible to connect and control the fireplace from your smartphone with the use of our app. Available on the Google play store and the Apple App Store.
- Programmable timer & thermostat allows you to decide the temperature of the room. Set the fireplace to turn on before you arrive home or have it automatically turn on when the weather is cold.
- Smart Room Temperature Control - 59°F - 82°F or 15°C - 28°C
- 1465W 5000 BTU, heats up to 500 Sq. Ft.
- 50000 hours lifetime LED light source
- Smart Room Temperature Control - 59°F - 82°F or 15°C - 28°C
- 1465W 5000 BTU, heats up to 500 Sq. Ft.
- 50000 hours lifetime LED light source
- Approved for Outdoor Installations*
- Designed with front flow heating and hidden venting so that the unit can be recessed or semi flush mounted
- A clean reduced trim kit allows for a large viewing area with true lifelike flames that can not be rivaled.
- Adjustable flame brightness and speed that can be turned on separately.
- Adjustable ember bed colors that allow for the possibility of auto mixing thousands of colors.
- Most quiet and reliable components in the industry
- Patented thermostatic remote comes included
- Masonry finish to trim option or Insert surround option

26" 30" WILL BE AVAILABLE MID 2024



ORANGE FLAME



YELLOW FLAME



RED FLAME

INCLUDED ACCESSORIES

Models come with Design Media Oak LG 12PCE, trim, 2 small bags of vermiculite, clear fireglass, remote and grate



DESIGN-MEDIA-OAK-12PCE-LG

TECHNICAL SPECIFICATIONS

Volts	120V
Amps	12.5 A
Watts	1465 Watts
Heater On	1465 Watts high, 732 Watts low
Heater Off	27 Watts – TRD 33 Lumina 32.6 Watts – TRD 38 Lumina 37.8 Watts – TRD 44 Lumina
Rotor Motor	1 at 2.9 Watts
BTU	5000

SERIES MODELS:

- TRD-26-LUMINA
- TRD-30-LUMINA
- TRD-33-LUMINA
- TRD-38-LUMINA
- TRD-44-LUMINA
- TRD-48-LUMINA

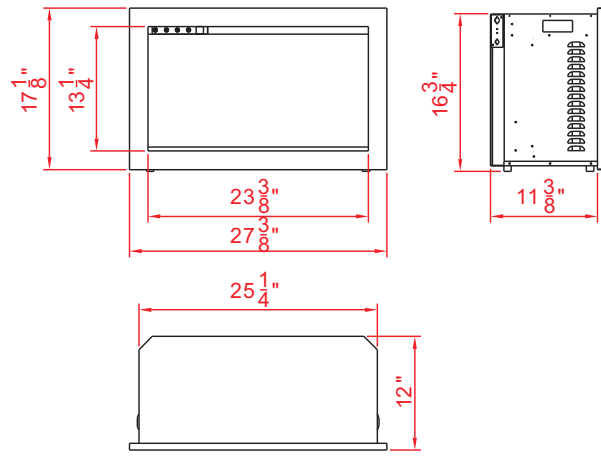


**2 YEAR WARRANTY
OUTDOOR APPROVED**

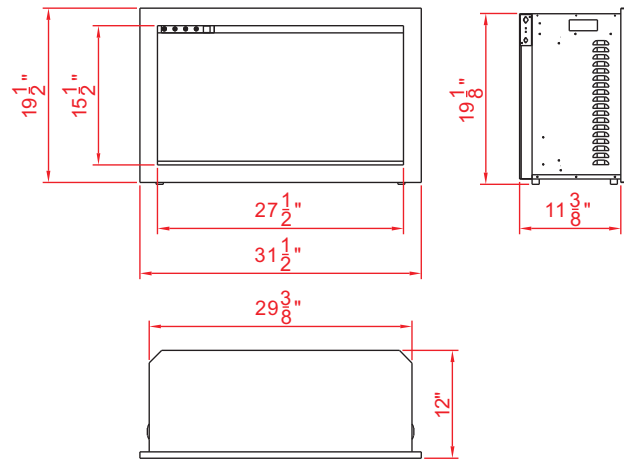
TRD 33" Lumina with Oak Media Electric Fireplace



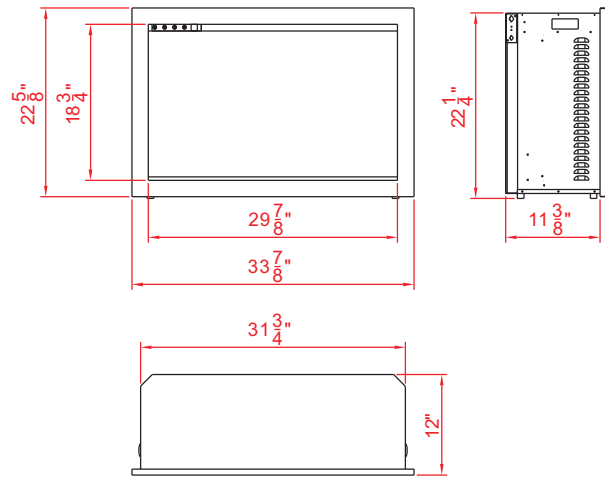
TRD-26 LUMINA



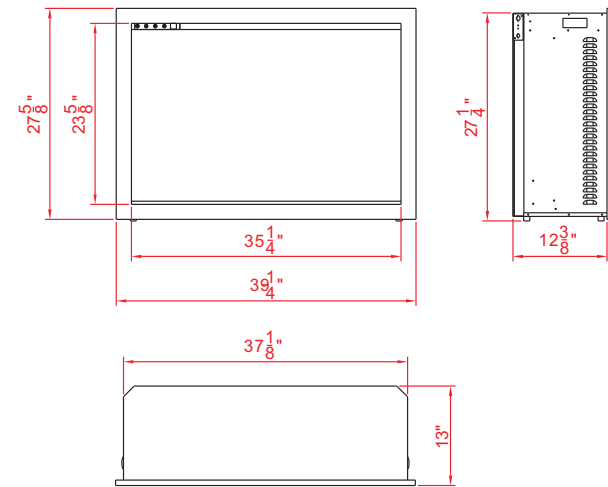
TRD-30 LUMINA



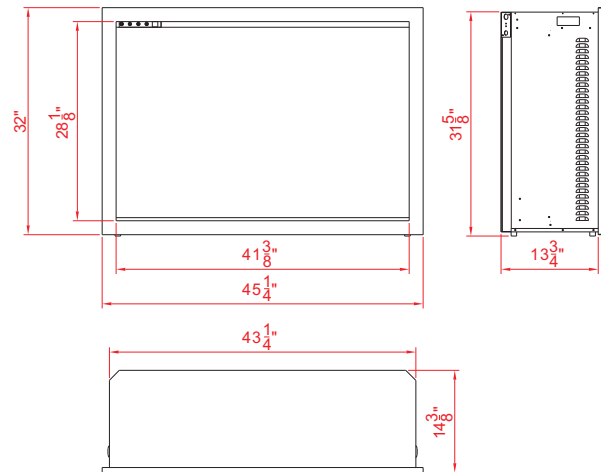
TRD-33 LUMINA



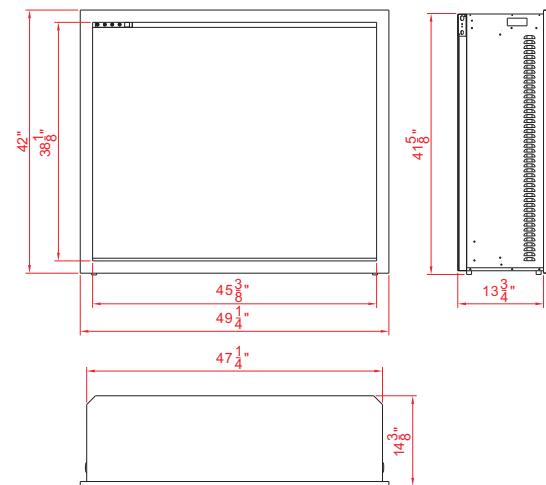
TRD-38 LUMINA



TRD-44 LUMINA



TRD-48 LUMINA



TRD 48" Lumina with Oak Media Electric Fireplace



TRADITIONAL XTRA SLIM SMART

26" • 30" • 33"

The Traditional Xtra Slim Smart electric fireplace offers the perfect balance of style and functionality for any room that it is placed in.

A familiar emblem of welcome and conversation, the TRD Xtra Slim Smart is defined by its slender depth proportions and seamless integration into any contemporary setting.

Featuring a shimmering flame display, the back of the fireplace is filled with movement that will capture your attention. Adjusting the heat is a simple matter of pushing a button. During the warmer months, the flames can be displayed without heat, making it perfect to use all year round.

KEY FEATURES

- Modern and sleek in design, this unit can be mounted or recessed into any 2" x 4" wall
- Unsurpassed, realistic flames can be enjoyed with or without the use of heat, allowing for year round use
- Clean and Seamless in Design: this fireplace features a full frame viewing area
- WiFi controls come standard
- Remote App- total control of your fireplace from the convenience of your mobile device
- Operate this fireplace from the comfort of your favorite spot with the included full feature remote control
- 2 Heater settings Low 732W High 1465W
- 5000 BTU's Max
- Accessories Included: Clear glass diamonds, black powder coated surround and a full feature remote control
- 10 multi colors of up lighting that accent from the tray, 1 setting to cycle through all the colors
- Flame options include: yellow orange and red. Cycle through 6 different color settings in each
- 3 Speed motor sets the flame speed option
- Smart Heater Control - Auto mode feature allows for the unit to operate under your ideal temperature setting
- Perfect for any commercial or residential space

IDEAL APPLICATIONS

- Apartments
- Condos
- Townhouses
- Older homes

TECHNICAL SPECIFICATIONS

Volts	120
Amps	12.5 A
Watts	1465 max
Heater On	1465 watts high, 732 watts low
Heater Off	25 watts
Rotor Motor	1 at 5 watts
BTU	5000



2 YEAR WARRANTY



ORANGE FLAME



YELLOW FLAME



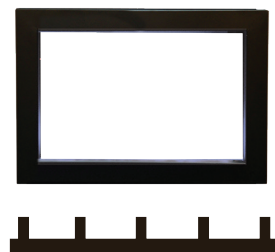
RED FLAME

INCLUDED ACCESSORIES

Models come with Design Media Oak XS 14PCE, trim, 2 small bags of vermiculite, clear fireglass, remote and grate



DESIGN-MEDIA-OAK-14PCE-XS



TRADITIONAL BESPOKE INSERTS

33" • 38"

KEY FEATURES

- 5 Year Warranty
- Fire & Sound – Two (2) quality audio speakers deliver a fire crackling sound. The audio is an ON/OFF feature that can be controlled through the WiFi app.
- WiFi compatible to connect and control the fireplace from your smartphone with the use of our app. Available on the Google play store and the Apple App Store.
- Bluetooth Connectivity – Featuring a fireplace with high quality audio from Bluetooth speakers. Simply pair your phone with the fireplace and press play on your smartphone.
- Programmable timer & thermostat allows you to decide the temperature of the room. Set the fireplace to turn on before you arrive home or have it automatically turn on when the weather is cold.
- 1465W 5120 BTU, heats up to 500 Sq. Ft
- 50000 hours lifetime LED light source
- Approved for Outdoor Installations*
- Designed with front flow heating and hidden venting so that the unit can be recessed or semi flush mounted.
- A clean reduced trim kit allows for a large viewing area with true lifelike flames that can not be rivaled.
- Adjustable flame brightness and speed that can be turned on separately.
- Adjustable ember bed colors that allow for the possibility of auto mixing thousands of colors.
- Most quiet and reliable components in the industry
- Patented thermostatic remote comes included
- Masonary finish to trim option
- Smart Room Temperature Control - 59°F - 82°F or 15°C - 28°C

TECHNICAL SPECIFICATIONS

Volts	120V 60Hz
Amps	12.5
Watts	1465 Watts
Heater On	1465 Watts high, 732 Watts low
Heater Off	27 W – TRD 33 Bespoke Insert 32.6 W – TRD 38 Bespoke Insert
Rotor Motor BTU	1 at 2.9 Watts 5120

SERIES MODELS:
TRD-33 BESPOKE Insert
TRD-38 BESPOKE Insert



5 YEAR WARRANTY
OUTDOOR APPROVED



ORANGE FLAME



YELLOW FLAME



RED FLAME

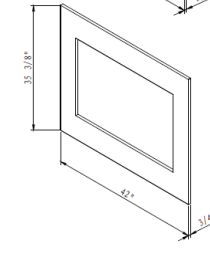
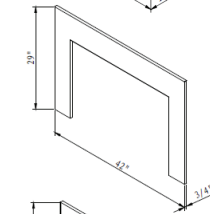
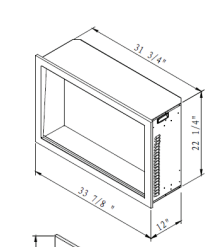


TRD-33 BESPOKE Insert

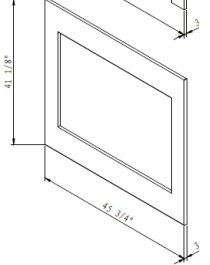
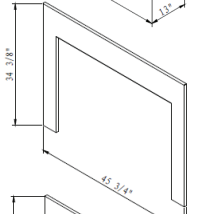
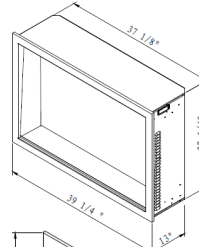


TRD-38 BESPOKE Insert

TRD-33 BESPOKE Insert



TRD-38 BESPOKE Insert



INCLUDED ACCESSORIES

All fireplaces come with a choice of one Designer Media Kit - Driftwood, Rustic, Birch, Split Log, 18Pce Oak, 12PCE Oak or Ice Media. Remote Control comes included.



Surrounds Optional:



3-Sided Surround



4-Sided Surround

YOUR CHOICE:



DESIGN-MEDIA-BIRCH-15PCE



DESIGN-MEDIA-DRIFT-15PCE



DESIGN-MEDIA-RUSTIC-14PCE



ICE-MEDIA-FI-109-DIAMOND



DESIGN-MEDIA-SPLIT-LOG-16PCE



DESIGN-MEDIA-OAK-18PCE



DESIGN-MEDIA-OAK-12PCE-LG

**Manufacturer guidelines regarding outdoor installation must be followed. Please refer to the owner's manual for additional information*

TRD 30" BESPOKE with Drift Media Electric Fireplace



TRADITIONAL LUMINA INSERTS

26" • 30" • 33" • 38"

Enhance your living space with the TRD Insert Lumina Electric Fireplace, where sophistication meets advanced technology. Watch as lifelike flames bring your home to life and create the perfect ambiance for any occasion. With customizable comfort, quiet operation, and user-friendly features, this fireplace insert is the ideal addition to elevate your home comfort and style.

KEY FEATURES

- 2 Year Warranty
- WiFi compatible to connect and control the fireplace from your smartphone with the use of our app. Available on the Google play store and the Apple App Store.
- Programmable timer & thermostat allows you to decide the temperature of the room. Set the fireplace to turn on before you arrive home or have it automatically turn on when the weather is cold.
- Smart Room Temperature Control - 59°F - 82°F or 15°C - 28°C
- TRD three or four sided surround required for semi flush mounted applications
- Can be fully recessed or semi flush mounted.
- 1465W 5120 BTU, heats up to 500 Sq. Ft
- 50000 hours lifetime LED light source
- Approved for Outdoor Installations*
- Designed with front flow heating and hidden venting so that the unit can be recessed or semi flush mounted.
- A clean reduced trim kit allows for a large viewing area with true lifelike flames that can not be rivaled.
- Adjustable flame brightness and speed that can be turned on separately.
- Adjustable ember bed colors that allow for the possibility of auto mixing thousands of colors.
- Most quiet and reliable components in the industry
- Patented thermostatic remote comes included
- Masonry finish to trim option or Insert surround option

TECHNICAL SPECIFICATIONS

Volts	120V 60Hz
Amps	10
Watts	1465 Watts
Heater On	1465 Watts high, 732 Watts low
Heater Off	22 Watts
Rotor Motor	1 at 5 Watts
BTU	5000

SERIES MODELS:

- TRD 33-Lumina
- TRD 38-Lumina



2 YEAR WARRANTY
OUTDOOR APPROVED

26" 30" WILL BE AVAILABLE MID 2024



ORANGE FLAME



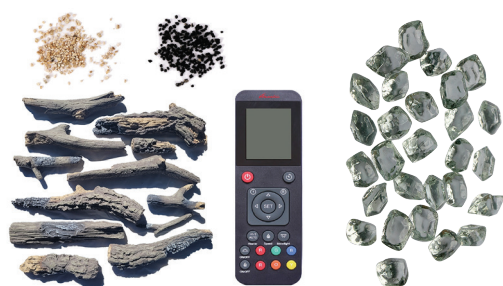
YELLOW FLAME



RED FLAME

INCLUDED ACCESSORIES

Models come with Design Media Oak LG 12PCE, 2 small bags of vermiculite, clear fireglass, remote and grate



DESIGN-MEDIA-OAK-12PCE-LG

Surrounds Optional:



3-Sided Surround



4-Sided Surround

**Manufacturer guidelines regarding outdoor installation must be followed. Please refer to the owner's manual for additional information*



TRADITIONAL SERIES | FIREPLACE & INSERT ELECTRIC FIREPLACES

FIRE GLASS

Our decorative fire glass media is a beautiful addition to your fireplace. Turn your fireplace into a expressive work of art by simply adding our decorative fire glass media. Our fire glass adds a distinctly modern feel to your gas fireplace - mix colors and textures for a unique appearance.

Our decorative fire glass is tempered and will not melt or degrade, some discoloration is normal on glass that is placed directly on the flame. Always wear protective gloves when handling fire glass media.

One 5lb container of media will cover 1 square foot.

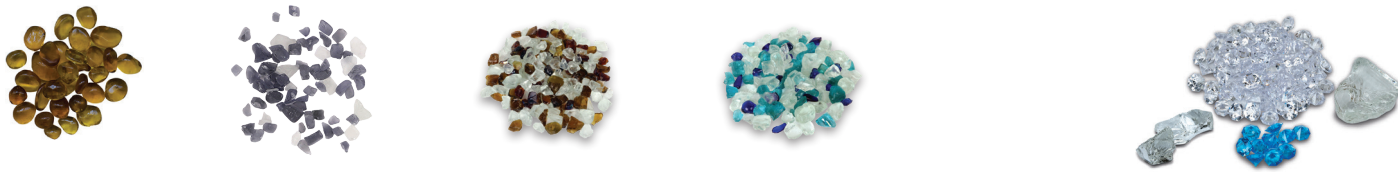
AMSF-GLASS-01 AMSF-GLASS-02 AMSF-GLASS-03 AMSF-GLASS-04 AMSF-GLASS-05 AMSF-GLASS-06



AMSF-GLASS-07 AMSF-GLASS-08 AMSF-GLASS-09 AMSF-GLASS-10 AMSF-GLASS-11 AMSF-GLASS-12



AMSF-GLASS-13 AMSF-GLASS-14 AMSF-GLASS-15 AMSF-GLASS-16 FI-105-DIAMOND



FI-107-DIAMOND FI-109 DIAMOND CLEAR



FIRE & ICE FLAME KIT FIRE & ICE TRAY KIT

This kit provides the necessary components to enable the FIRE & ICE presentation to be included with the Amantii Smart Fireplace. The Smart models use the latest cutting edge technology and innovation to provide instant heat, realistic flame and adaptive lighting. Fire and Ice Flame and Tray Kits are available for purchase.



Images are not to scale, please visit your local dealer to view the actual accessories.

Variations in the color and shade are inherent in all printing processes, the actual colors may vary slightly from those shown.

Note: Log sets and Designer Media Kits will fit in all sizes of the following models - Panorama DEEP, TRU VIEW XL and CUBE ONLY. (Depending on the size of the fireplace model, some logs may not be needed.)

DESIGNER MEDIA KITS

Add incredible value with designer media kits including deluxe log sets, glass and stone media and decorative embers.

DESIGN-MEDIA-BIRCH-10PCE



DESIGN-MEDIA-OAK-10PCE



DESIGN-MEDIA-NATURAL-8PCE



DESIGN-MEDIA-14PCE



Black fire glass 90-piece pebble Rocks Embers 1 Embers 2 Embers 3 Embers 4

DESIGN-MEDIA-BIRCH-15PCE



Black fire glass 90-piece pebble Rocks Embers 1 Embers 2 Embers 3 Embers 4

DESIGN-MEDIA-15PCE



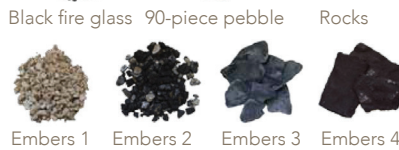
Black fire glass Embers 1 Embers 3 90-piece pebble Rocks Embers 2 & 4

DESIGN-MEDIA-6PCE



Black fire glass 90-piece pebble Rocks Embers 1 Embers 2 Embers 3 Embers 4

DESIGN-MEDIA-SPLIT-LOG-16PCE



Black fire glass 90-piece pebble Rocks Embers 1 Embers 2 Embers 3 Embers 4

DESIGN-MEDIA-BIRCH-12PCE



For XT & XT Bespoke models only

The NEW Design Media Birch 12 piece log set expands the Design Media Birch 15 piece log set, if required, and is available for purchase.

DESIGN-MEDIA-OAK-14PCE-XS



DESIGN-MEDIA-OAK-12PCE-MD



DESIGN-MEDIA-OAK-12PCE-LG





AM-TRD-BROCH-US NOV 2023

Distributed By:

Product updates, specifications and dimensions are subject to change. Please refer to the product manual to verify measurements and clearance requirements. All local building codes must be followed.

Amantii

Visit our online showrooms at:

www.amantii.com