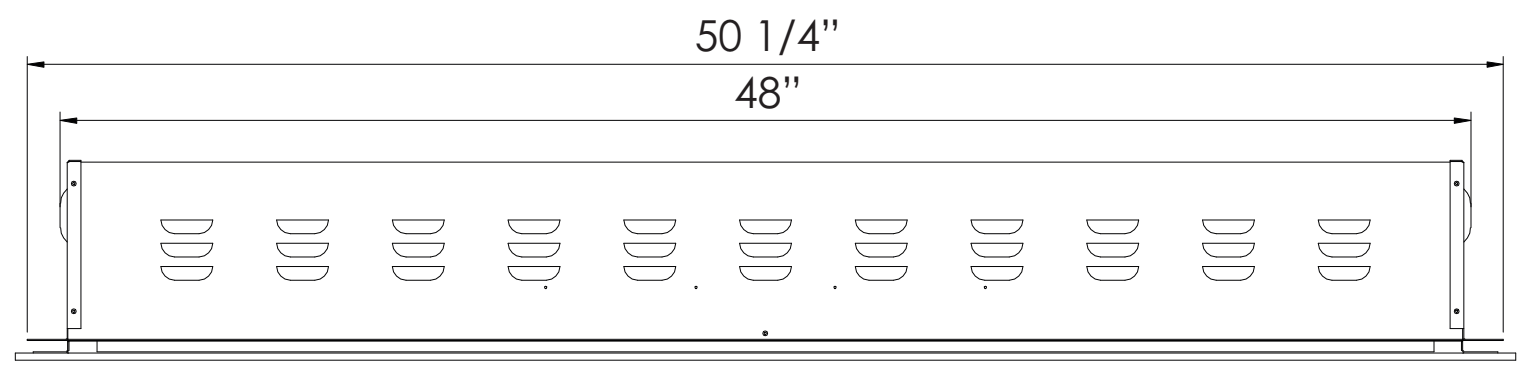
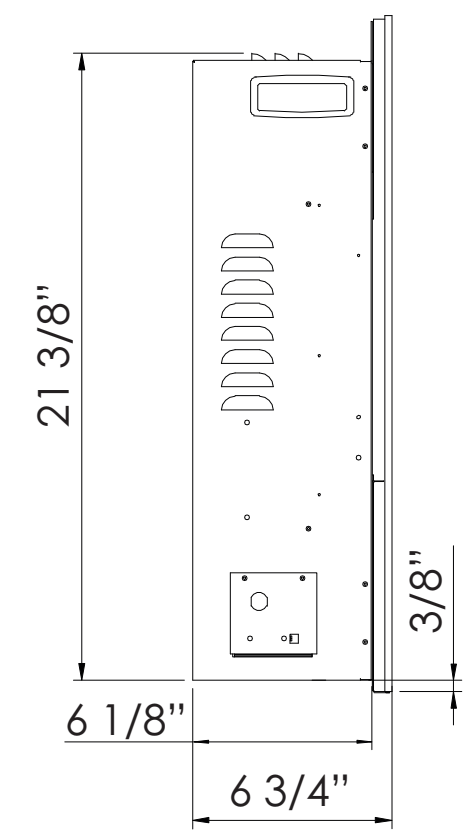
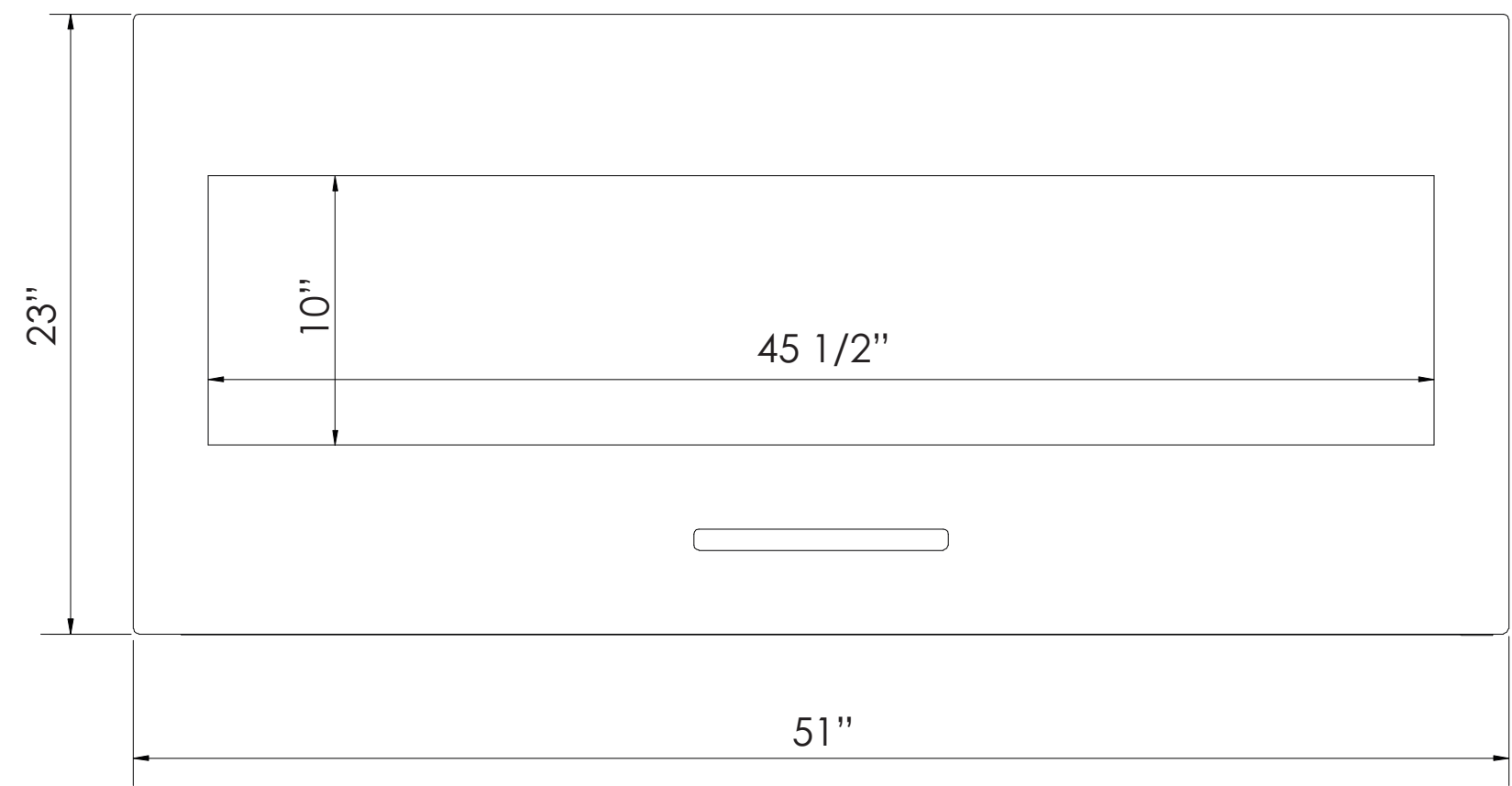

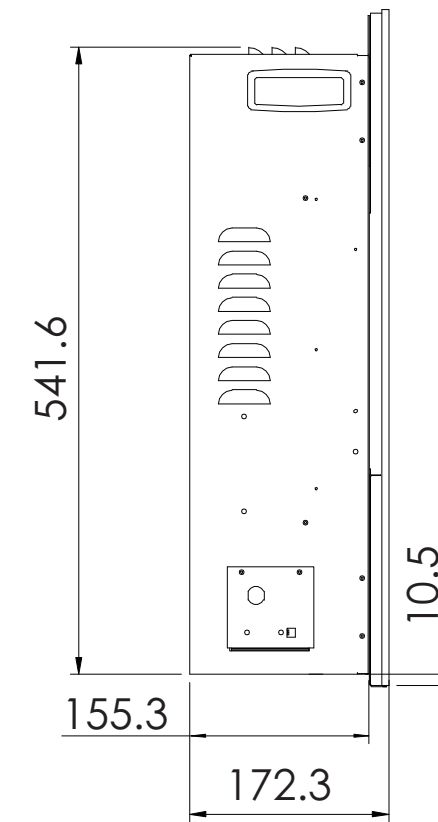
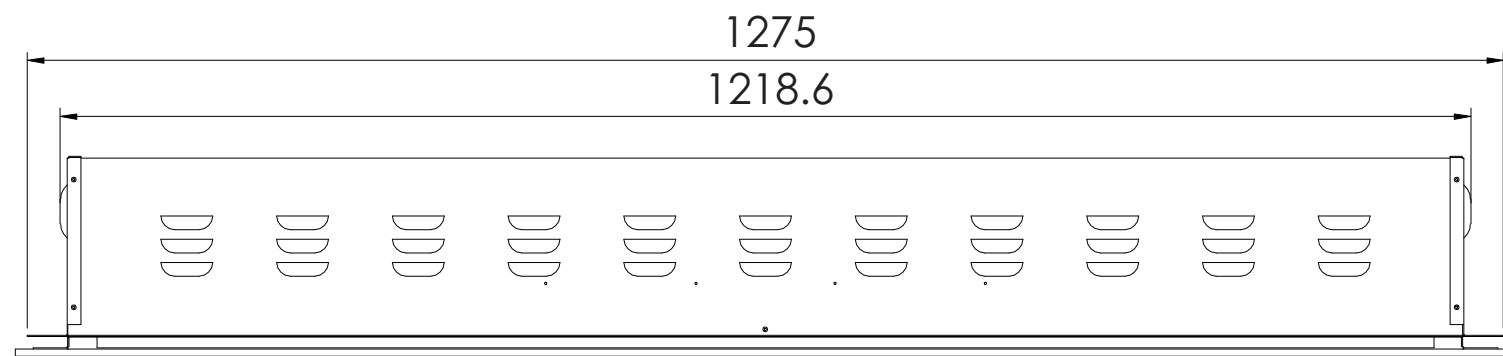
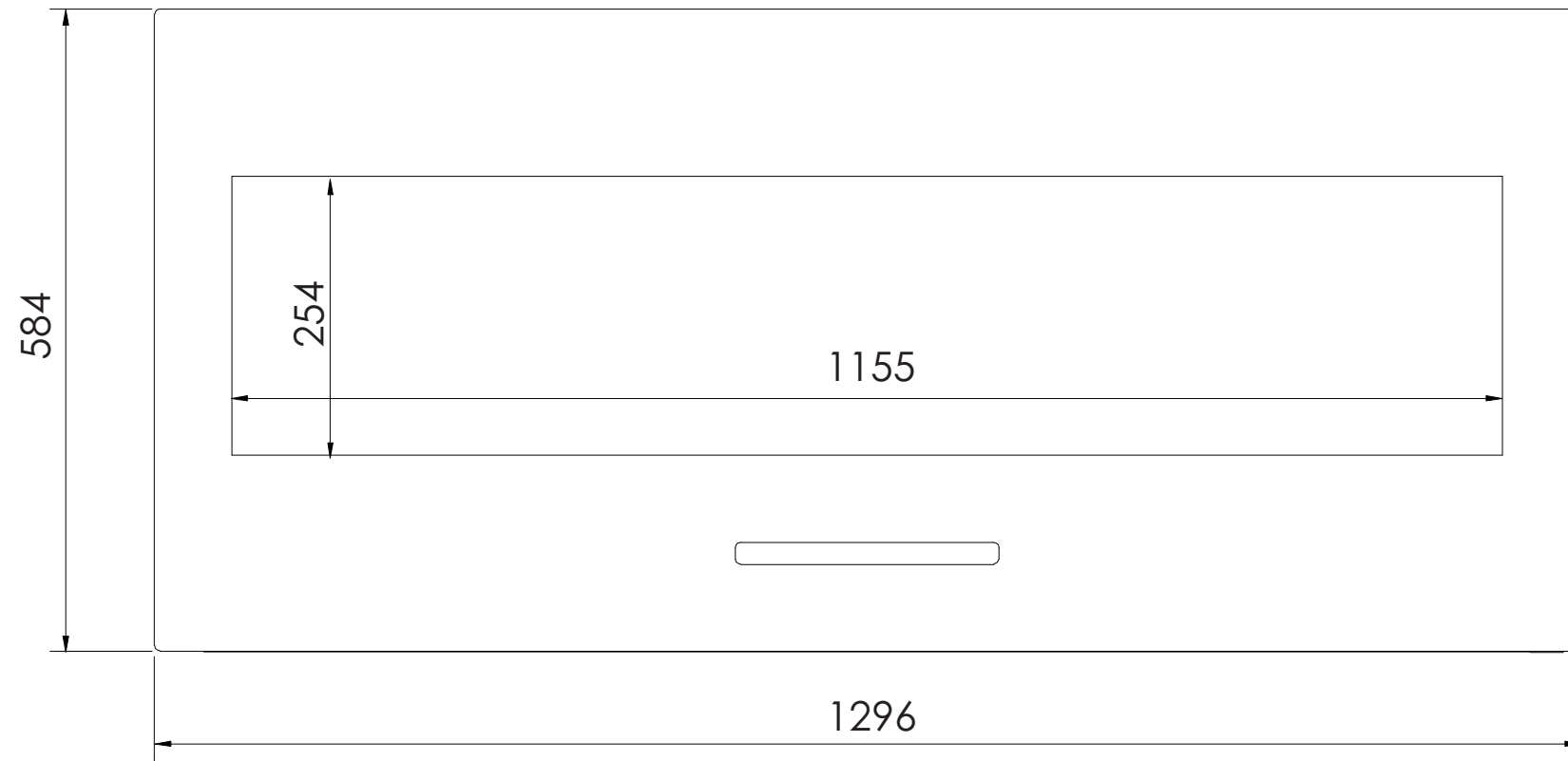


TECHNICAL SPECIFICATIONS

VOLTS		120
AMPS		12.5
WATTS		1465
HEATER	HIGH	1465 watts
	LOW	750 watts
NO HEATER		22 watts
LAMPS	QUANTITY	LED
	WATTS	
	TOTAL WATTS	22 watts
ROTOR MOTOR		1 at 5 watts
HEIGHT, WIDTH, DEPTH		21 3/8 x 48 x 6 1/8
GLASS VIEWING OPENING		45 1/2 x 10
GLASS SIZE		51 x 23
SHIPPING SIZE		26 1/4 X 61 X 10 1/4
SHIPPING WEIGHT	BLACK GLASS	84 lbs
	WHITE GLASS	92 1/2 lbs
PLUG LOCATION		Left Side
CORD LENGTH		76"
APPROX. HEATING AREA		400 sq ft




SERIES BUILT IN	MODEL BI-50-FLUSHMT-BLKGLS BI-50-FLUSHMT-WHTGLS BI-FI-50-FLUSHMT-BLKGLS WM-FM-50-BG		REV 1
SCALE 1" = 1'-0"	DATE: 12/1/2015	SHEET 1 OF 1	



TECHNICAL SPECIFICATIONS		
VOLTS		120
AMPS		12.5
WATTS		1465
HEATER	HIGH	1465 watts
	LOW	750 watts
NO HEATER		22 watts
LAMPS	QUANTITY	LED
	WATTS	
	TOTAL WATTS	22 watts
ROTOR MOTOR		1 at 5 watts
HEIGHT, WIDTH, DEPTH		58.4 x 129.6 x 17.2 cm
GLASS VIEWING OPENING		115.5 x 25.4 cm
GLASS SIZE		129.6 x 58.4 cm
SHIPPING SIZE		66.4 x 154.5 x 25.8 cm
SHIPPING WEIGHT		42 kg
	UNIT	
GLASS FRONT		Included
PLUG LOCATION		Left Side
CORD LENGTH		193 cm
APPROX. HEATING AREA		37 sqm



SERIES	MODEL		REV
BUILT IN	BI-50-FLUSHMT-BLKGLS BI-50-FLUSHMT-WHTGLS BI-FI-50-FLUSHMT-BLKGLS WM-FM-50-BG		1
SCALE 1:12	DATE: 12/1/2015	SHEET 1 OF 1	