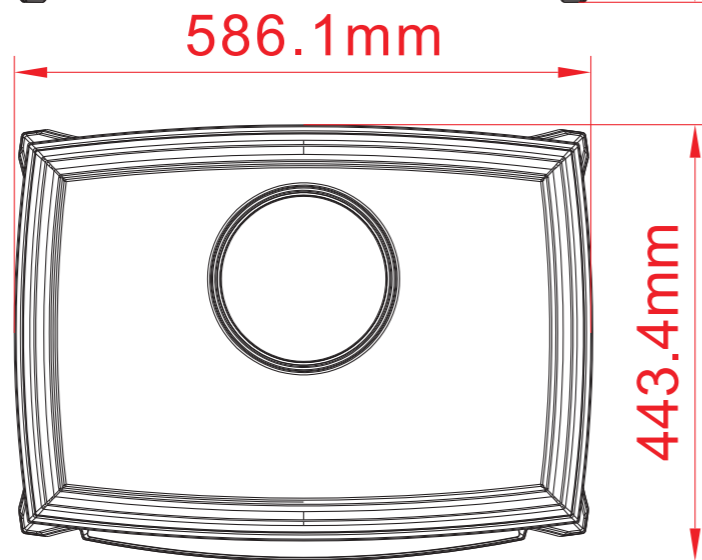
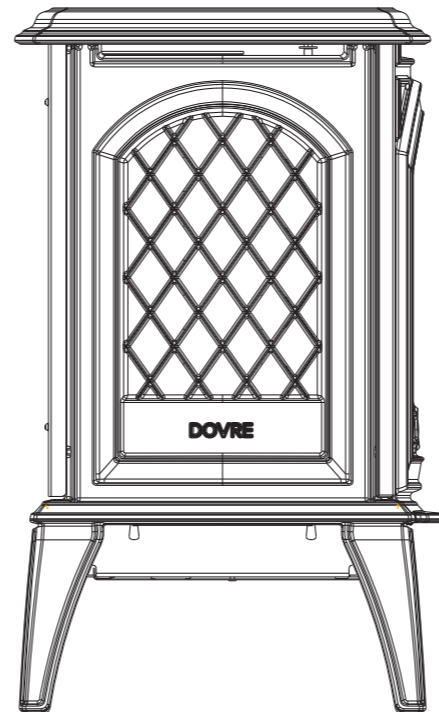
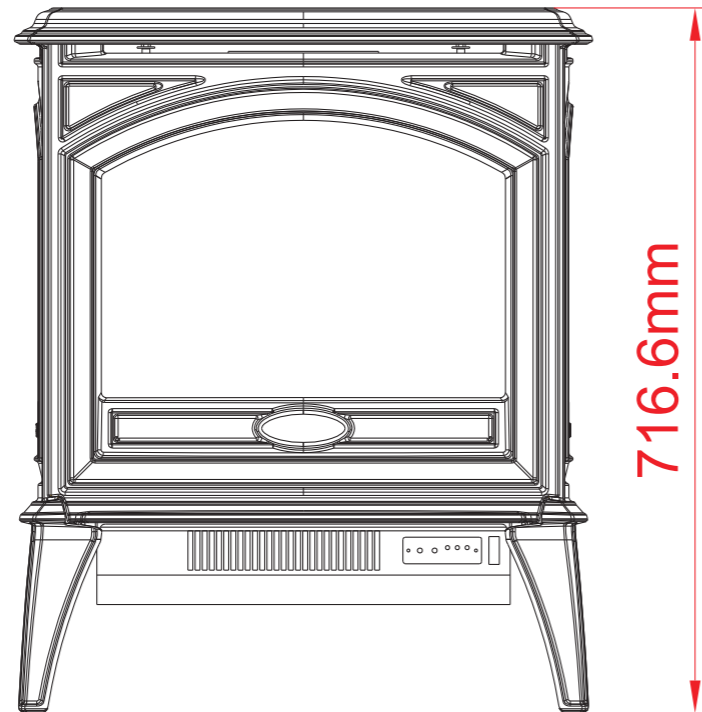


TECHNICAL SPECIFICATIONS

VOLTS		120
AMPS		12.5
WATTS		1465
HEATER	HIGH	1465 watts
	LOW	750 watts
NO HEATER		19 watts
LAMPS	TYPE	LED
	WATTS	
	TOTAL WATTS	19 watts
ROTOR MOTOR		1 at 5 watts
HEIGHT,WIDTH,DEPTH		28 1/4" x 23 1/8" x 17 1/2"
GLASS VIEWING OPENING		00" X 00 0/0"
GLASS SIZE		13 1/8" X 16 3/8"
SHIPPING SIZE		16 6/8" x 23 3/8" x 25 5/8"
SHIPPING WEIGHT		123.5 lbs
	UNIT	114.9 lbs
	GLASS FRONT	Included
PLUG LOCATION		Left Side
CORD LENGTH		76"
APPROX. HEATING AREA		400 sq ft

Amantii

SERIES	MODEL		REV
	E50		1
SCALE 1"=1'-0"	DATE: 9/21/2019	SHEET 1 OF 1	



TECHNICAL SPECIFICATIONS

VOLTS		120
AMPS		12.5
WATTS		1465
HEATER	HIGH	1465 watts
	LOW	750 watts
NO HEATER		19 watts
LAMPS	TYPE	LED
	WATTS	
	TOTAL WATTS	19 watts
ROTOR MOTOR		1 at 5 watts
HEIGHT,WIDTH,DEPTH		71.7 x 58.6 x 44.3 cm
GLASS VIEWING OPENING		00 X 00 cm
GLASS SIZE		33.3 X 41.7 cm
SHIPPING SIZE		42.5 x 59.5 x 65.2 cm
SHIPPING WEIGHT		56 Kgs
	UNIT	52.1 Kgs
GLASS FRONT		Included
PLUG LOCATION		Left Side
CORD LENGTH		193 cm
APPROX. HEATING AREA		37 sqm

Amantii

SERIES	MODEL		REV
	E50		1
SCALE 1:12	DATE: 9/21/2019	SHEET 1 OF 1	